

① ISTRUZIONI DI MONTAGGIO  
② FITTING INSTRUCTIONS  
③ MONTAGEANLEITUNG  
④ INSTRUCTIONS DE MONTAGE  
⑤ INSTRUCCIONES DE MONTAJE  
⑥ INSTRUÇÕES DE MONTAGEM  
⑦ MONTAGE-INSTRUCTIES  
⑧ MONTERINGSANVISNING

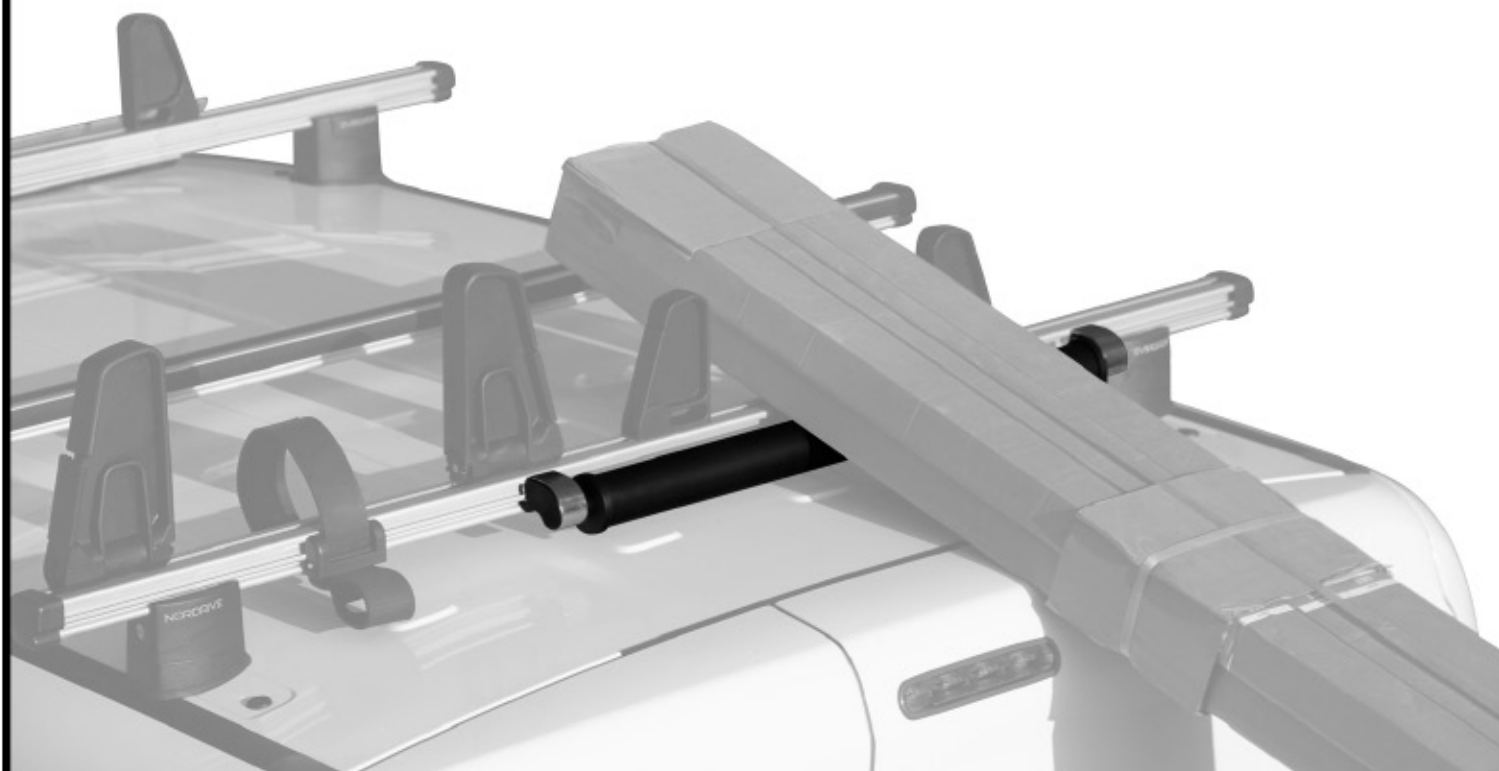
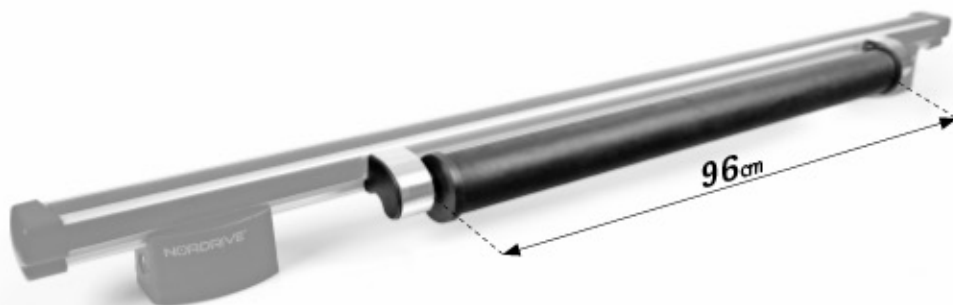
⑨ ASENNUSOHJE  
⑩ PAIGALDUSJUHEND  
⑪ STIPRINĀŠANAS INSTRUKCIJA  
⑫ PRITVIRTINIMO INSTRUKCIJOS  
⑬ INSTRUKCJA MONTAŻU  
⑭ Инструкции по установке  
⑮ NÁVOD NA MONTÁŽ  
⑯ NÁVOD NA MONTÁŽ

⑰ NAVODILA ZA PRITRJEVANJE  
⑱ UPUTA ZA SASTAVLJANJE  
⑲ A FELSZERELÉS MÓDJA  
⑳ Οδηγία συναρμολόγησης  
㉑ MONTAJ TALIMATLARI  
㉒ ИНСТРУКЦИИ ЗА МОНТАЖ  
㉓ UPUTSTVA ZA MONTAŽU

ART. N11034  
**KP-7** / **96cm**

① RULLIERA

② ROLLER KIT

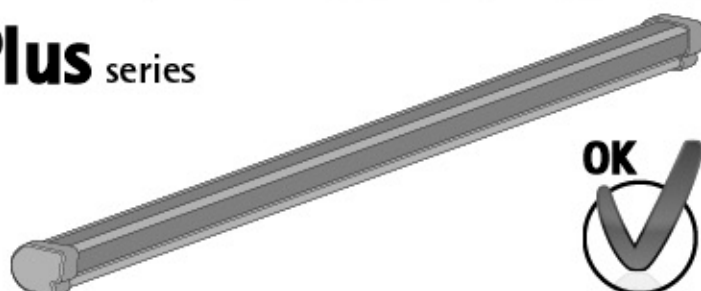


① ADATTO PER

② SUITABLE FOR

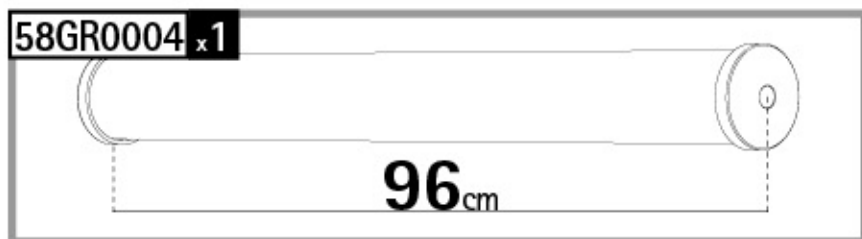
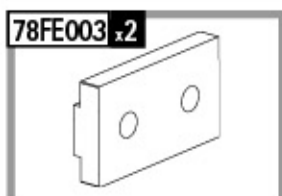
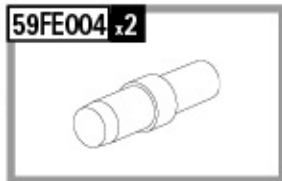
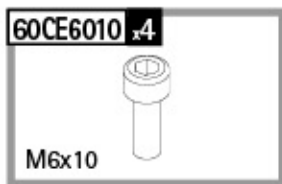
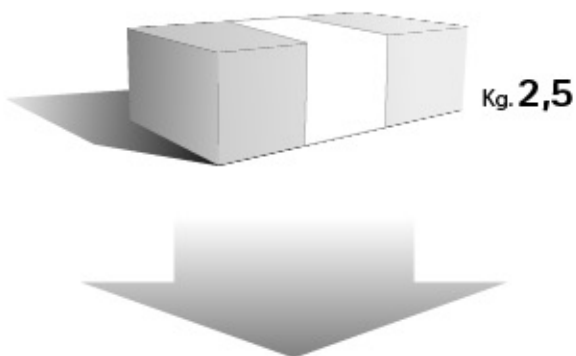
**Kargo-Plus** series

Alluminio / Aluminium



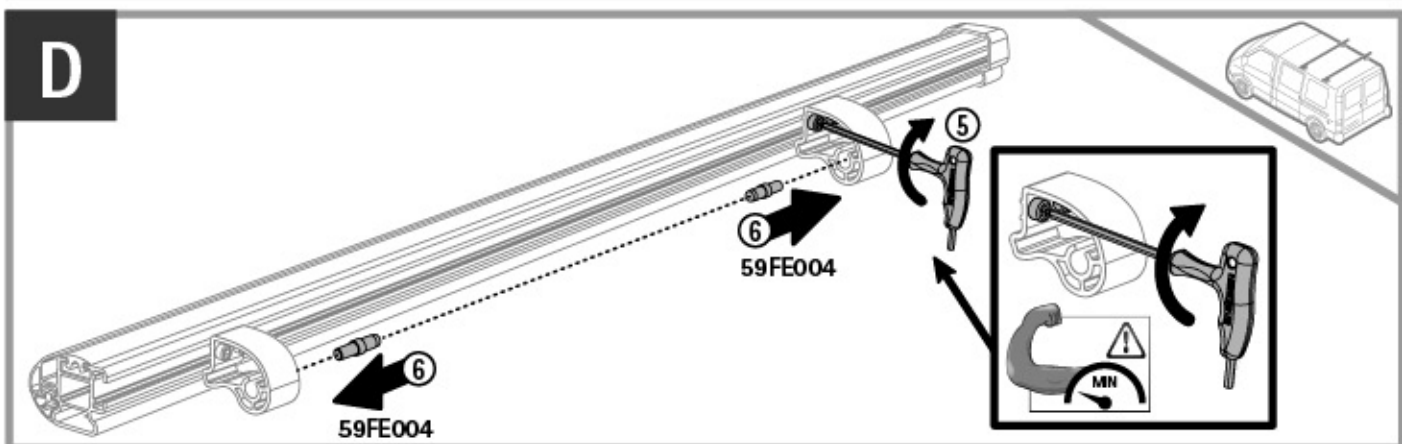
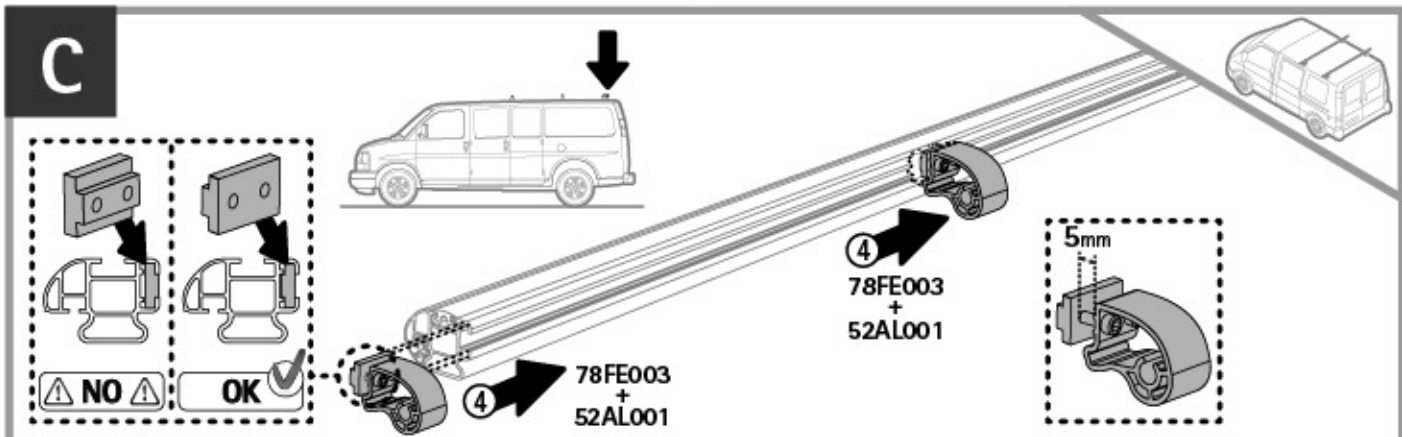
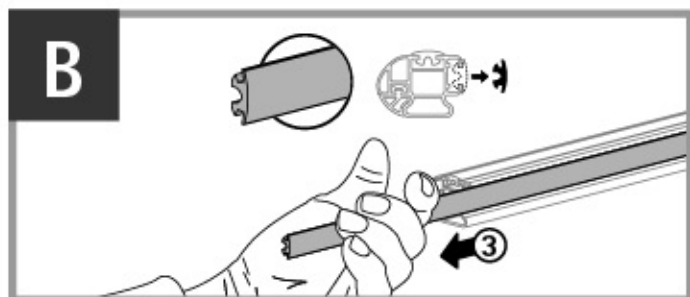
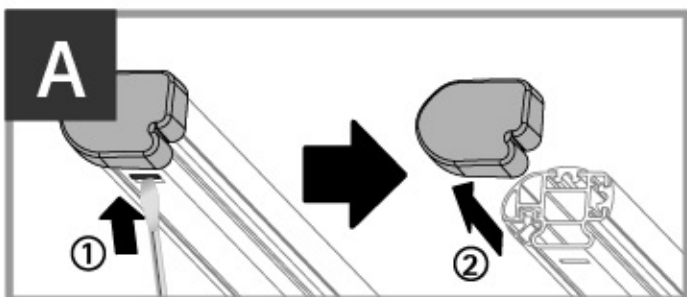
**NORDDRIVE**<sup>®</sup>  
TRANSPORT SOLUTIONS

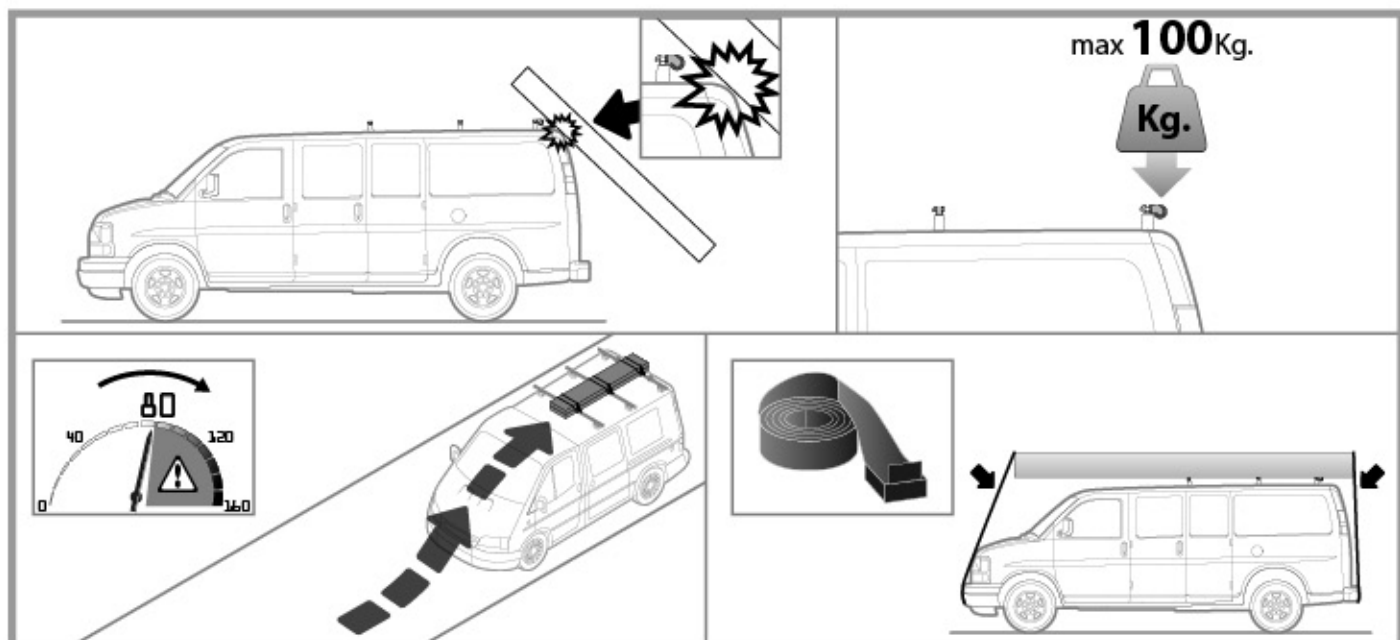
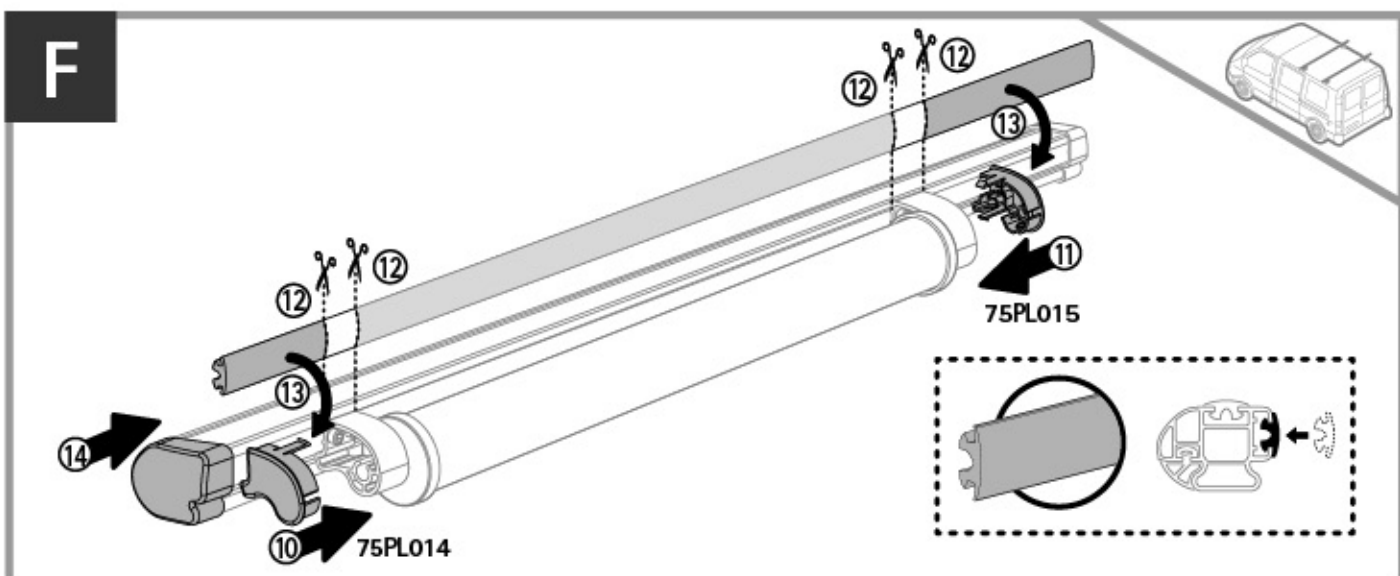
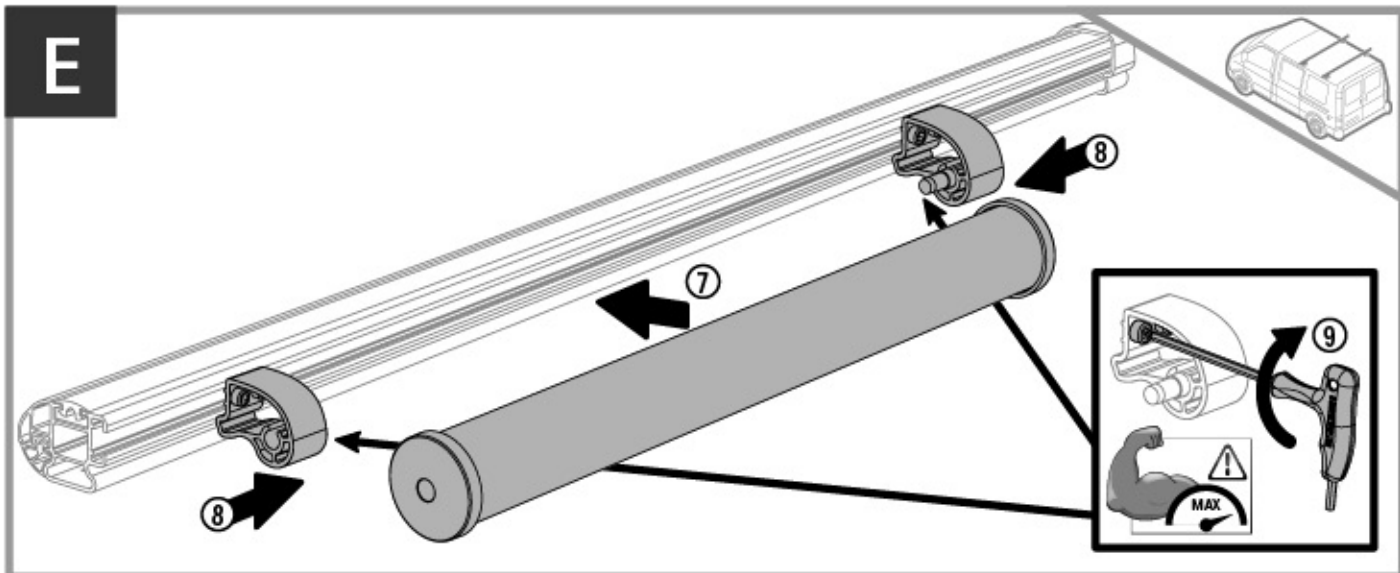
ART. N11034  
**KP-7** **96cm**



**Safety regulations**

**NÖRDRIVE**

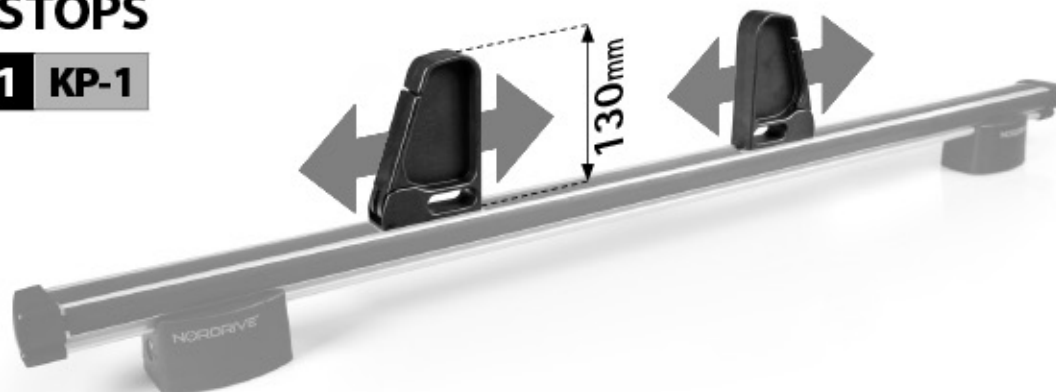




# OPTIONALS

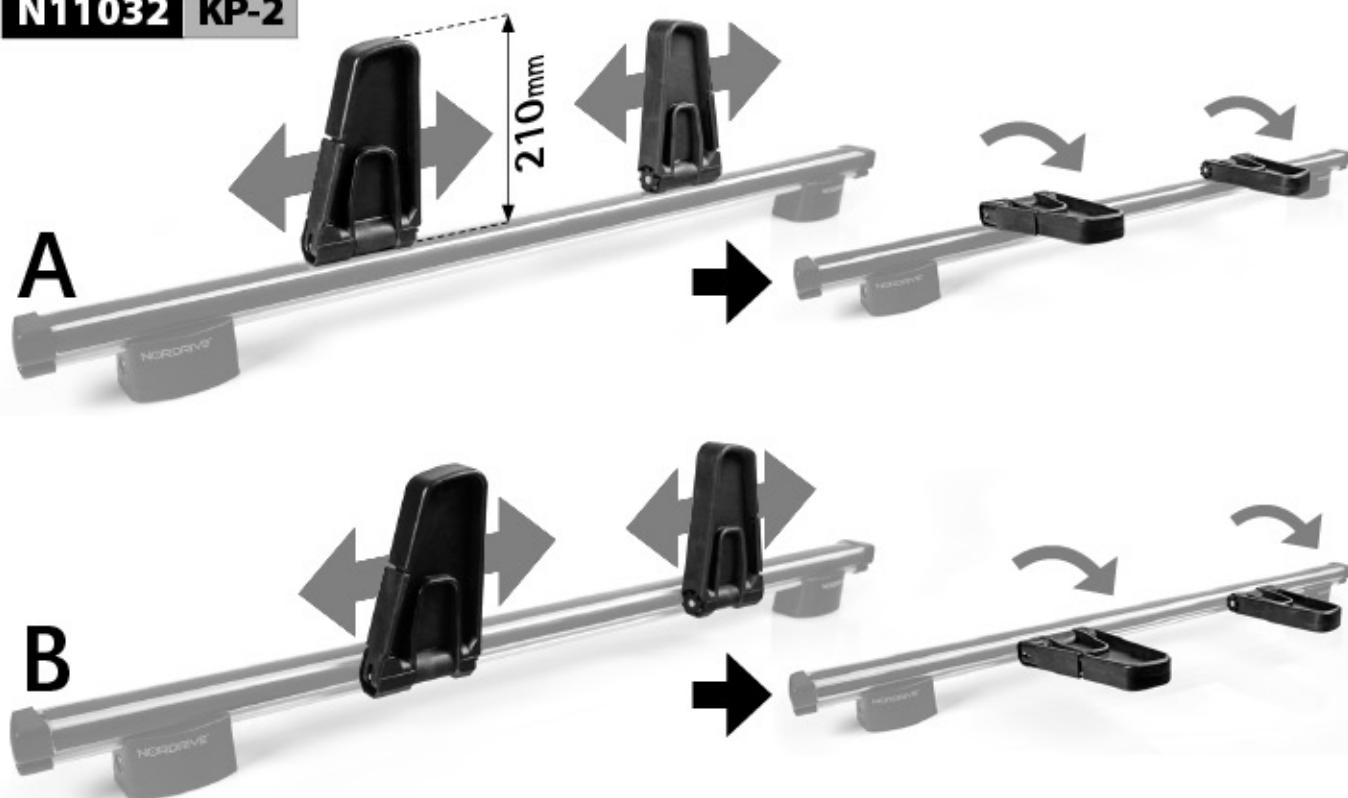
## LOAD STOPS

**N11031** KP-1



## LOAD STOPS

**N11032** KP-2



## EYE-BOLTS

**N11033** KP-3



**NORDRIVE**<sup>®</sup>  
TRANSPORT SOLUTIONS

is a registered trade mark of  
**LAMPA S.p.A.**  
46019 Viadana (MN) ITALY  
Ditta certificata UNI EN ISO 9001:2008  
[www.nordrive.it](http://www.nordrive.it)  
[www.lampa.it](http://www.lampa.it)

N11034